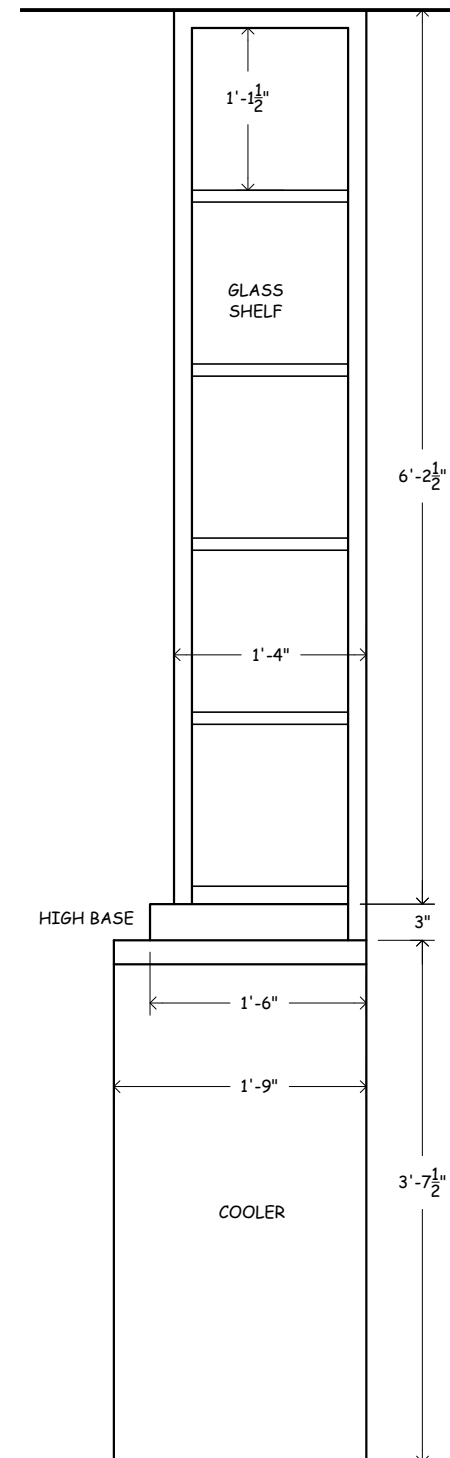


2

INTERIOR ELEVATION

DEN / OFFICE

Scale: 3/4" = 1'-0"

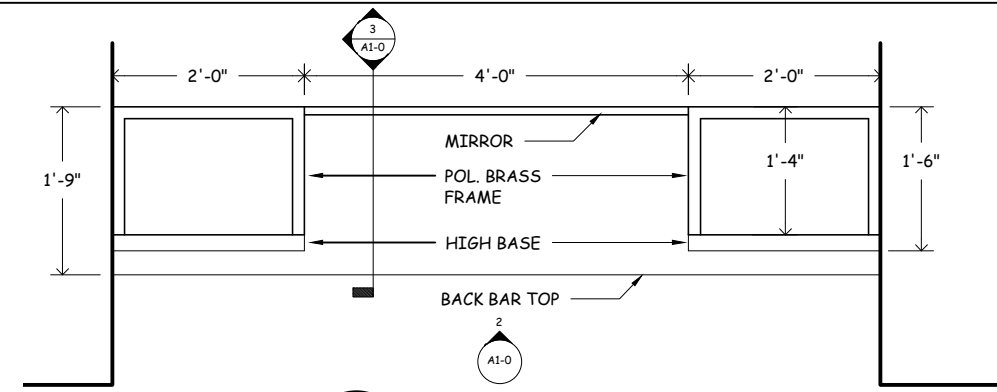


3

MILLWORK SECTION

DEN / OFFICE

Scale: 3/4" = 1'-0"



1

PARTIAL FLOOR PLAN - MILLWORK

DEN / OFFICE

Scale: 1/2" = 1'-0"

RIVER NORTH WINE BAR - BACK

CHICAGO, IL 60611

STUDIO SPICUZZA

INTERIOR ARCHITECTURE+DESIGN
222 Merchandise Mart Plaza #341
Chicago, Illinois 60654
312.661.1459 / 773.316.7406 cell
Email: studio1252@sbcglobal.net

A1-0

PROPOSED PLAN,
SECTION, ELEVATION