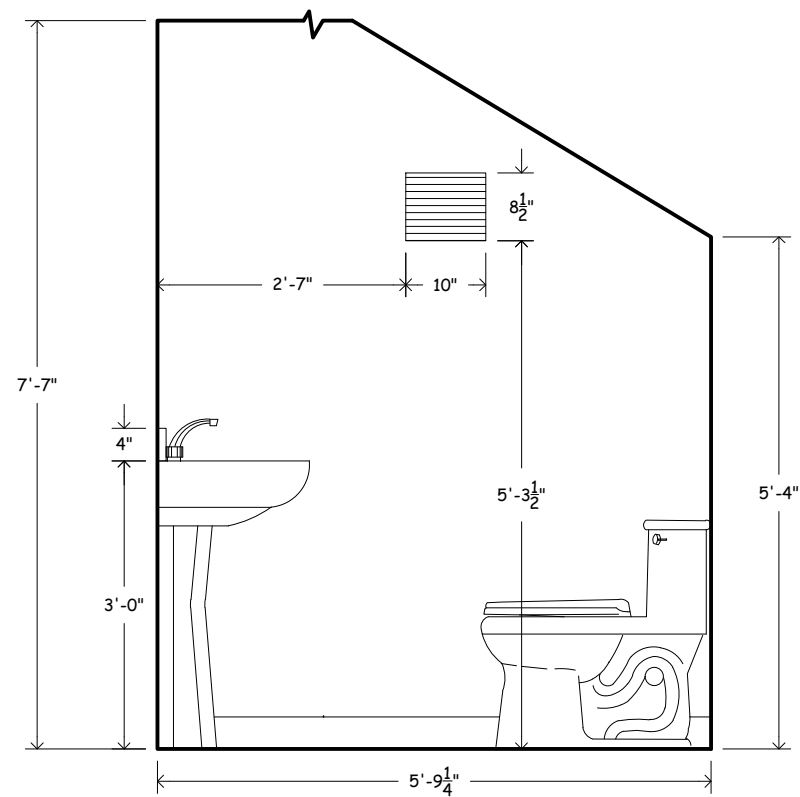


1 ENLARGED FLOOR PLAN
LEVEL ONE POWDER ROOM Scale: 1/2" = 1'-0"



A INTERIOR ELEVATION
LEVEL ONE POWDER ROOM Scale: 1/2" = 1'-0"

STUDIO SPICUZZA

INTERIOR ARCHITECTURE+DESIGN
222 Merchandise Mart Plaza #341
Chicago, Illinois 60654
312.661.1459 / 773.316.7406 cell
Email: studio1252@sbcglobal.net

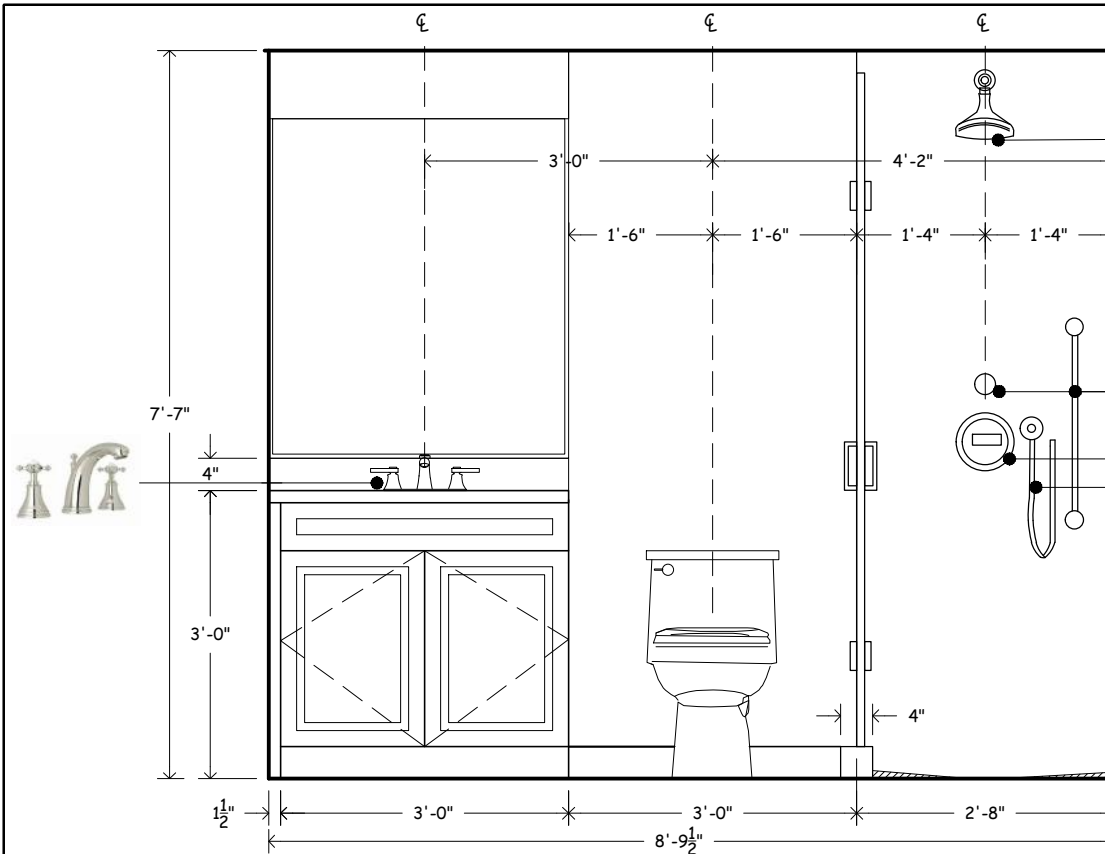
McJANN RESIDENCE

1428 N. STATE PARKWAY
CHICAGO, IL 60610

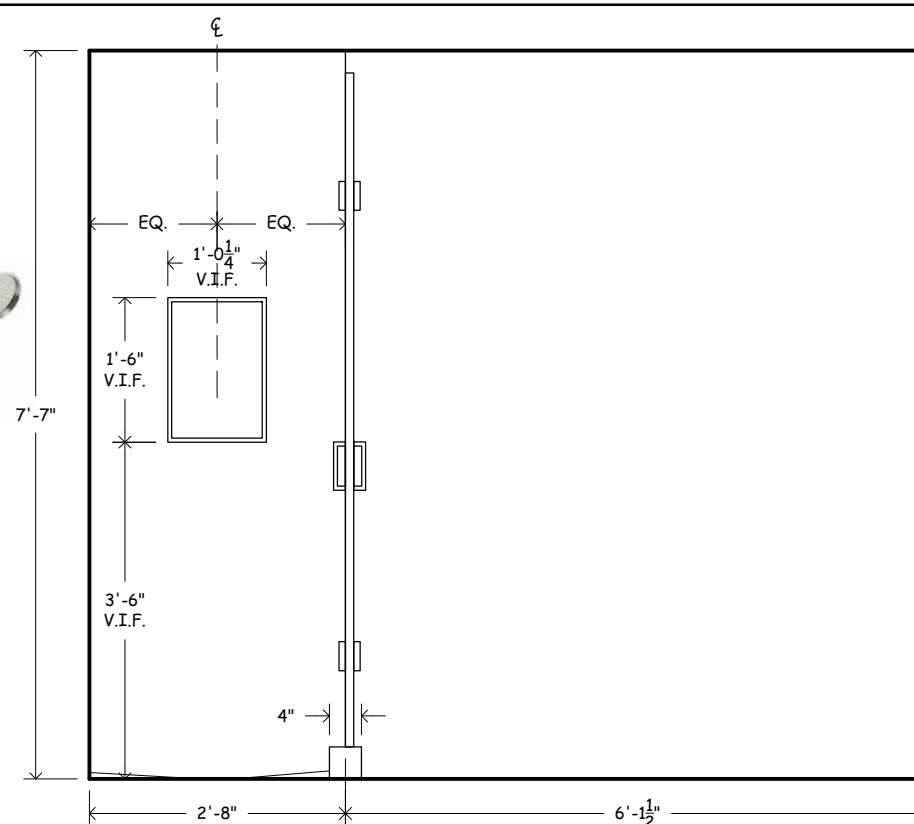
03/19 DESIGN DEVELOPMENT

A1-0

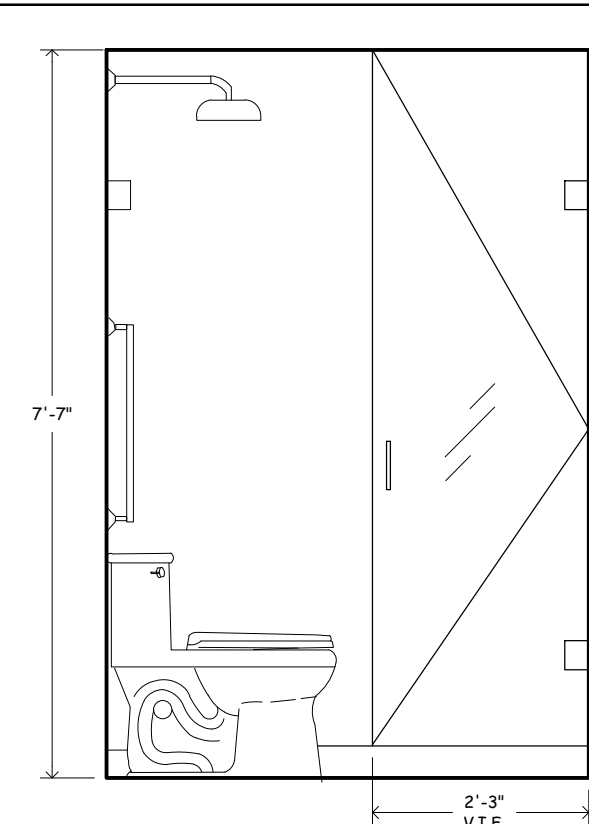
ENLARGED FLOOR PLAN
& INTERIOR ELEVATIONS



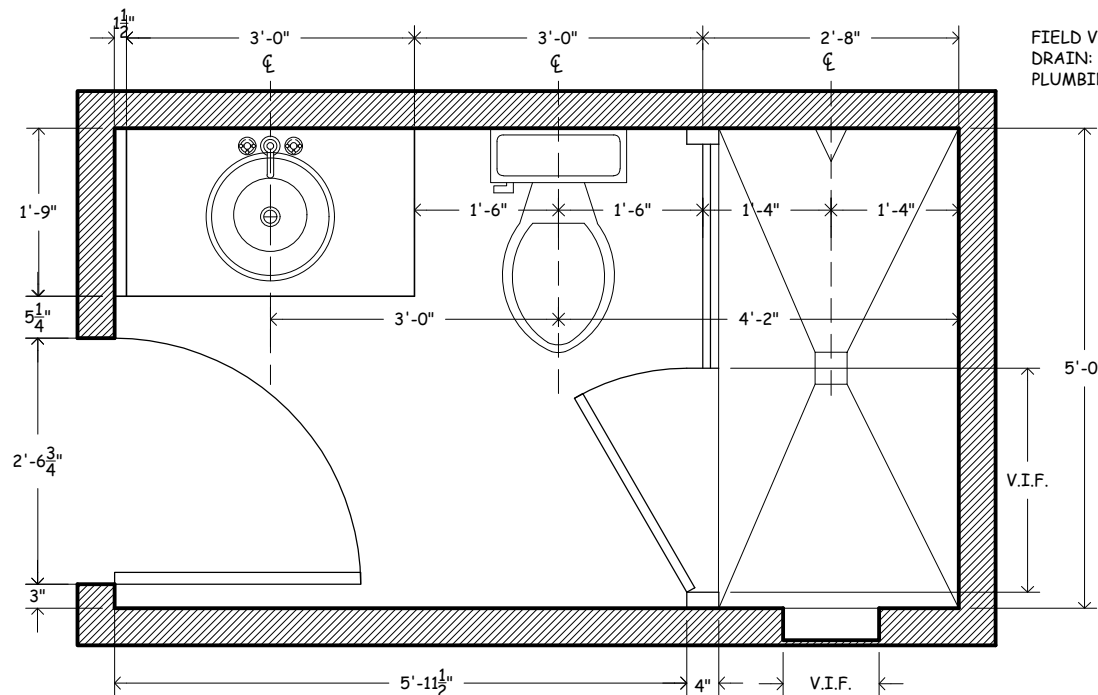
A INTERIOR ELEVATION
LEVEL TWO GUEST BATH Scale: 1/2" = 1'-0"



B INTERIOR ELEVATION
LEVEL TWO GUEST BATH Scale: 1/2" = 1'-0"



C INTERIOR ELEVATION
LEVEL TWO GUEST BATH Scale: 1/2" = 1'-0"



1 ENLARGED FLOOR PLAN
LEVEL TWO GUEST BATH Scale: 1/2" = 1'-0"

STUDIO SPICUZZA

INTERIOR ARCHITECTURE+DESIGN
222 Merchandise Mart Plaza #341
Chicago, Illinois 60654
312.661.1459 / 773.316.7406 cell
Email: studio1252@sbcglobal.net

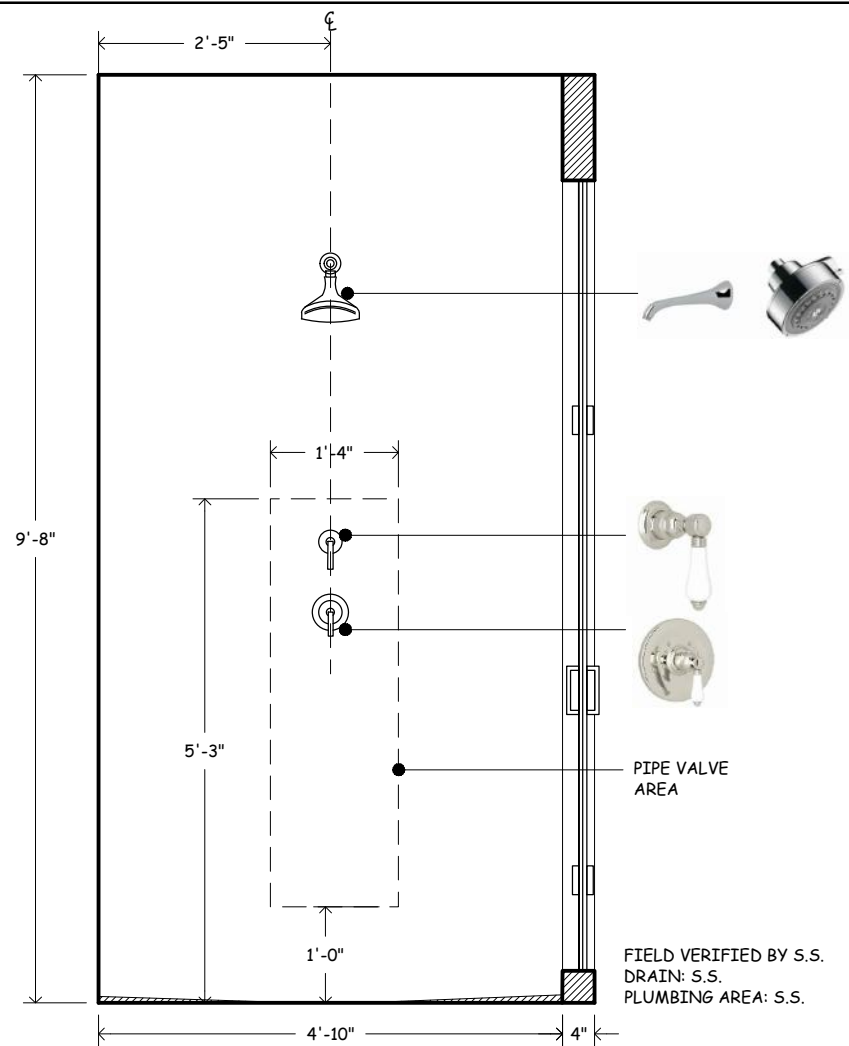
McJANN RESIDENCE

1428 N. STATE PARKWAY
CHICAGO, IL 60610

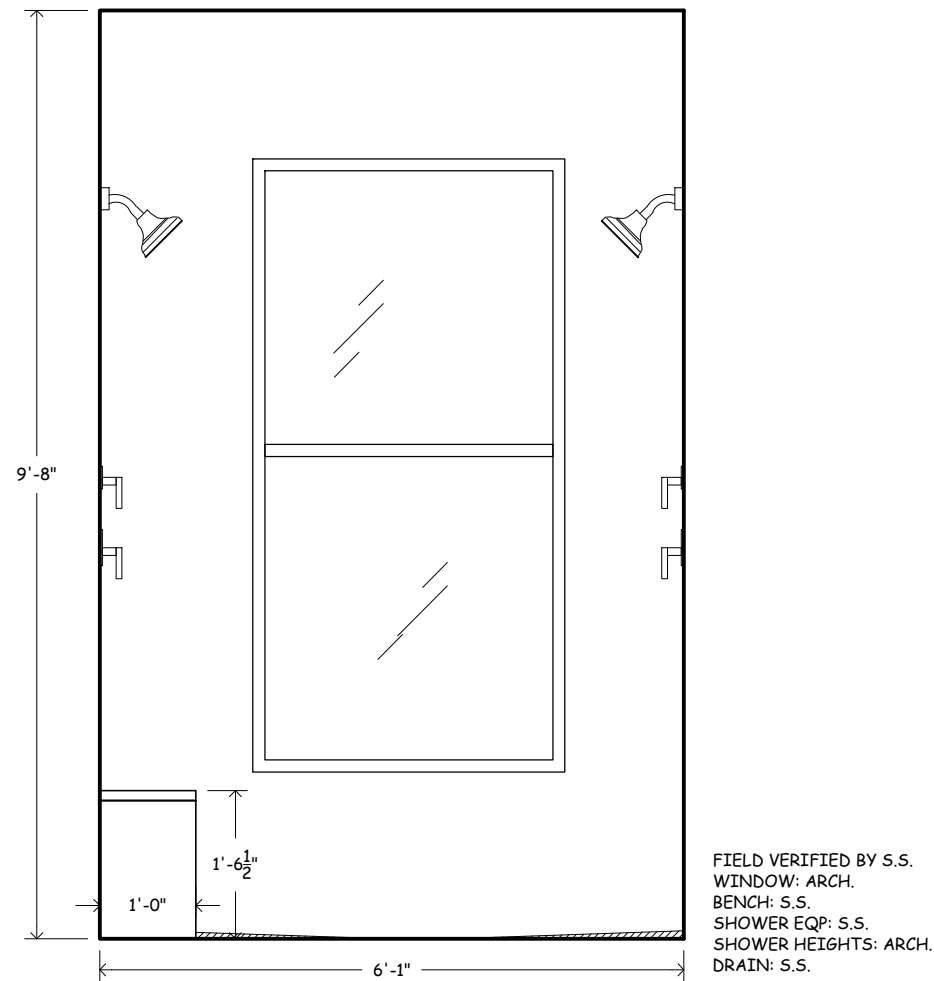
03/19 DESIGN DEVELOPMENT

A1-1

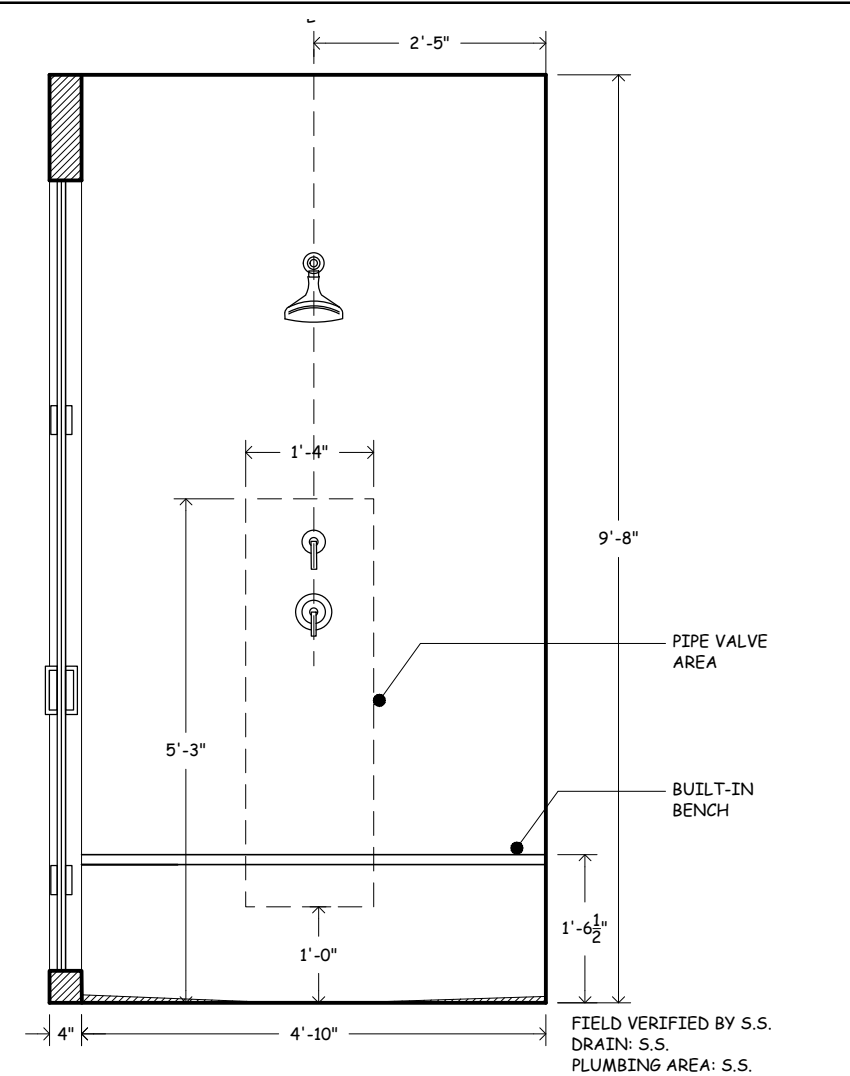
ENLARGED FLOOR PLAN
& INTERIOR ELEVATIONS



A INTERIOR ELEVATION
LEVEL TWO MASTER SHOWER Scale: 1/2" = 1'-0"

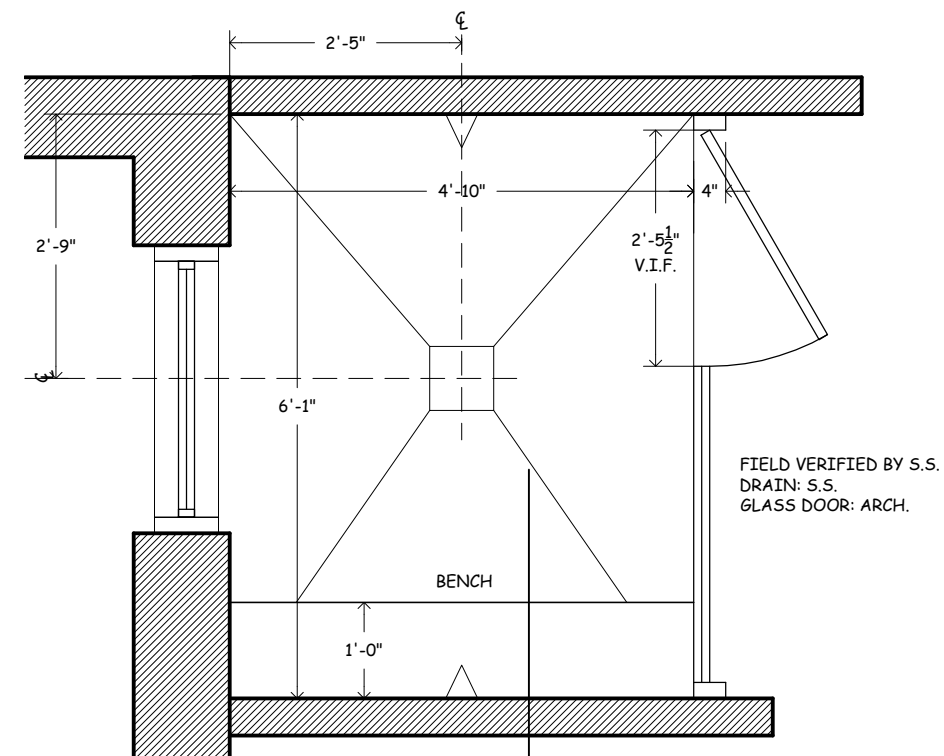


B INTERIOR ELEVATION
LEVEL TWO MASTER SHOWER Scale: 1/2" = 1'-0"



C INTERIOR ELEVATION
LEVEL TWO MASTER SHOWER Scale: 1/2" = 1'-0"

1 ENLARGED FLOOR PLAN
LEVEL TWO MASTER SHOWER Scale: 1/2" = 1'-0"



STUDIO SPICUZZA

INTERIOR ARCHITECTURE+DESIGN
222 Merchandise Mart Plaza #341
Chicago, Illinois 60654
312.661.1459 / 773.316.7406 cell
Email: studio1252@sbcglobal.net

McJANN RESIDENCE

1428 N. STATE PARKWAY
CHICAGO, IL 60610

03/19 DESIGN DEVELOPMENT

A1-2

ENLARGED FLOOR PLAN
& INTERIOR ELEVATIONS